



Advance
Materials
Supplies

Certified Specialty Steel Supplier



Since our inception in 2008, Advance Materials Supplies Pte Ltd (AMS) has a well-established SEA network of strategic alliances and partners to serve our customers world-wide. Backed by certified quality management systems and ISO 9001:2008, AMS delivers high quality specialty steels for various sectors at competitive prices.

AMS specialises in high-quality stainless steel and super alloys like titanium and nickel alloys, and can also assist with custom specialty steel requirements.

AMS-ULTRACLEAN™

In partnership with our manufacturing partners, AMS has developed AMS-UltraClean™ – our exclusive product of **316L-SEMI F20-Ultra High Purity stainless steel**.



Unlike stainless steel commonly melted by Electric Arc Furnace (EAF), AMS-Ultraclean is further refined via Electric Slag Remelt (ESR) and/or Vacuum Arc Remelt (VAR) to achieve an Ultra High Purity level.

With molybdenum and low carbon content, **316L-SEMI F20-Ultra High Purity** has excellent corrosion resistance, and is suitable for these applications:

- General Clean Room Fittings
- Valves
- UHP pressure Sensors
- Metal UHP sealings
- Welding fittings



Products

AMS is able to supply the following grades or materials:

STAINLESS STEEL

316L - SEMI F20 UHP - **AMS ULTRACLEAN™**

17-4PH / UNS S17400 / SUS 630 / DIN EN 1.4542

AISI 316/316L / UNS S31600 / DIN EN 1.4404

316 LVM - ASTM F138/ UNS S31673 / DIN EN 1.4441

AISI 440C / UNS S44004 / DIN EN 1.4125

NITRONIC 60 / UNS S21800 / Alloy 218

Custom 455 / UNS S45500

Custom 465 / UNS S46500

AISI 303 / UNS S30300 / DIN EN 1.4305

AISI 304 / UNS S30400 / DIN EN 1.4301

SUPER ALLOYS

INCONEL 625 / UNS N06625

INCONEL 925 / UNS N09925

ALLOY MP35N / UNS R30035

HASTEALLOY C22 / UNS N06022

HASTEALLOY C276 / UNS N10276 / DIN EN 2.4819

CoCr-ASTM F90 / L-605 / UNS R30605

Co-28Cr-6Mo-Alloy-ASTM F1537 / Alloy 2 / R31538 / ISO 5832-12

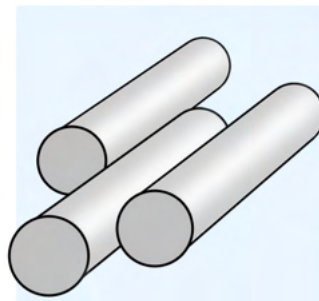
TITANIUM

TITANIUM GRADE 2 / UNS R50400

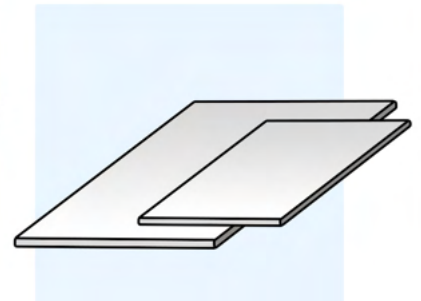
TITANIUM GRADE 5 / TI-6AL-4V / UNS R56400 (ASTM F1472)

TITANIUM GRADE 23 / TI-6Al-4V ELI / UNS R56401 (ASTM F136)

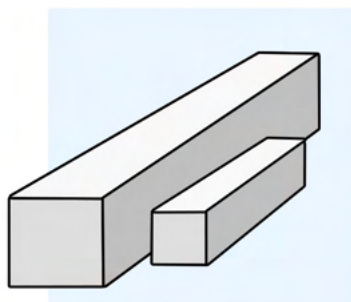
SHAPES



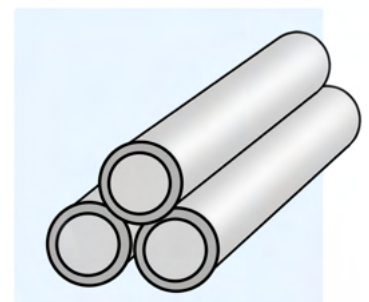
Round Bars



Flat Bars



Square Bars



Tubes

Serving Industry Needs, Meeting Market Demands

We provide a comprehensive range of specialty metals to meet the demands across various sectors, and are focussed on serving the medical and semiconductor industries.

MEDICAL DEVICES

Medical device manufacturers engage us for their supplies of alloys that meet regulatory requirements. Our medical grade stainless steel and titanium are widely used for the manufacturing of surgical tools, instruments and implants.



CLEAN ROOMS

Primarily manufactured in Europe, our wide range of Ultra High Purity Flat Bars and Round Bars are suited for the manufacturing of components for high purity chemical (gas or liquid) distribution systems in semiconductor manufacturing facilities.

OTHER SECTORS AND APPLICATIONS WE SERVE

- Aviation
- Automotive
- Oil & Gas
- High End Precision Engineering Applications



Our Services

Beyond our extensive portfolio of products, we offer a suite of services to ensure that our solutions are fitted to our customers' needs.

CUTTING

Our in-house machine shop allows us to provide a range of cutting services:

- Cutting, section up to 360mm
- Handling capacity up to 6 tonnes
- Tolerance up to $-0/+1$ mm subject to section

TESTING

We work closely with local and international test houses to offer the full spectrum of testing services. All testing is carried out at NADCAP or ISO 17025 accredited laboratories.

- Ultrasonic examination and magnetic particle examination Non-destructive Testing (NDT) of wrought products, with inspection carried out by third-party testing houses
- Rockwell and Brinell hardness testing calibrated to industry standards for further flexibility and care
- Third party and customer witness on testing, e.g. ABS, Lloyds, and/or BV inspection based on approved procedures

INVENTORY MANAGEMENT

We understand how an efficient warehousing process is crucial for your long-term projects, and we maintain a secure, enclosed storage facility for prompt delivery of your materials.

SUPPLY CHAIN SOLUTIONS

Enjoy seamless, safe and efficient movement of supplies with our range of flexible packages. From customised cutting, categorising to packing and transporting, we ensure that your order arrives safely and on time.



NEW SERVICE ROUGHING & WIRE CUT

Save time and cut costs with pre-machined components that help to expedite subsequent processes!



Leverage on the expertise of our highly-trained staff experienced in making the complex logistics process a breeze for our customers

OUR VISION

We aspire to be the stainless steel industry standard, preferred by the market, and capable of delivering unlimited supplies and valuable services without boundaries!

OUR MISSION

We commit ourselves to maintaining high level of quality in our products and services. We value workmanship, leadership and passion for learning as key points toward providing impeccable services to our clients.

OUR CORE VALUES

We embody our core values to achieve the desired outcomes for our customers.

INTEGRITY

We treat others as we want to be treated and conduct business ethically

QUALITY

We source and deliver the right materials to the right places at the right times and prices

EFFICIENCY

We must be nimble and flexible to excel in a fast-moving and competitive global market



**Advance
Materials
Supplies**

Phone: +65 6747 9572

Fax: +65 6748 7417

Email: sales@advancematerials.com.sg

Website: www.advancematerials.com.sg

OFFICE

501 Guillemard Road

Singapore 399840

Mon-Fri 9:00am – 6:00pm (GMT +8)

Closed on weekends and public holidays

WAREHOUSE

19 Jurong Port Road

Singapore 619093

Mon-Fri 9:00am – 6:00pm (GMT +8)

Closed on weekends and public holidays

